



TLY2417

Ver1.0

	1
1.1	1
1.2	1
	2
	3
	4
4.1	4
4.2	5
	8
	



1.1

(" ")

/

ABS

1.2

1 :

1 :

1 :



1

1		
2		
3		
4		
5		
6		
7		485
8		
9		
10		
11		
12		
13		
14		
15		
16		485
17		
18		
19		
20		
21		
22		
23		
24		
25		
26		
27		
28		



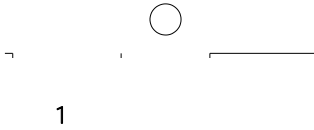
2

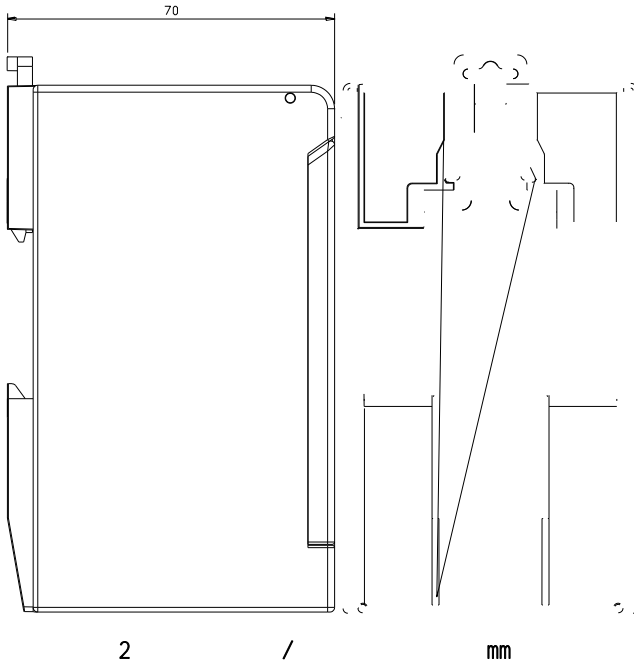
	AC 220V
	0.8Unom 1.35Unom
	50Hz -6% +2%
	-40 70
	10 100%
	10
	× × =112mm× 62mm× 70mm
	1) 1 2) RS485 6 2 485 2 RJ45 3) 1



4.1

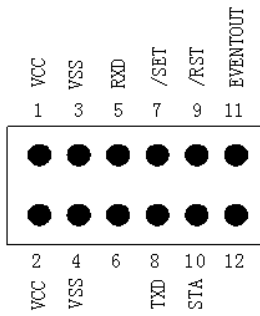
]





4.2

2 × 6



3



3

1 2		VCC	0	
3 4		VSS		
5		RXD	I	
6				
7		/SET	0	
8		TXD	0	
9		/RST	0	0.2s
10		STA		



4 RJ45I RJ45

RJ45			()	
1		485A1		
2		485B1		
3		485A2		
4		485B2		
5 6		GND	—	
7 8	12V	VCC	0	12V±1V 0~50mA

220V



5

		RS-485 A B	RS-485 A B 3V 5V A B A B 0 A B
			RS-485 1000m 600m 0.5mm



● -40 +70 100%

-
-
-

● 9329-1999 JB/T

-

● +70 100% -40

-

-

-



EI A/T568-A

●

18

●

24

025-87775500